

## Status Indicator

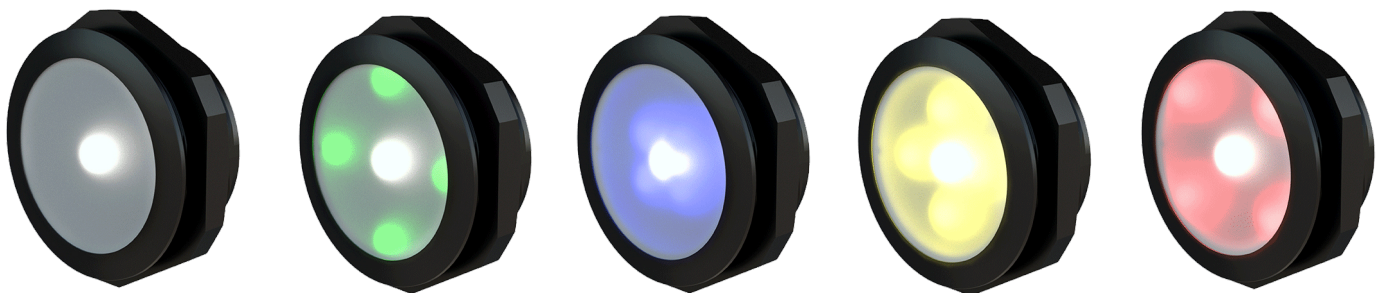
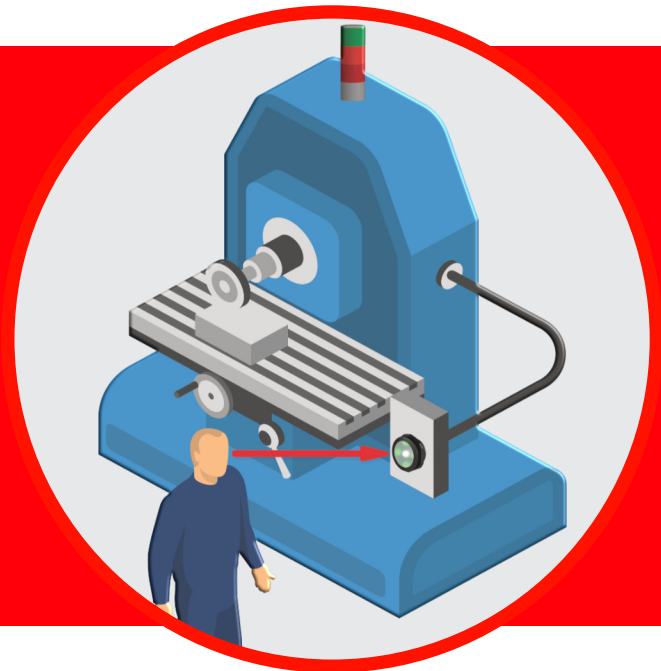
### Multi-LEDs & multi-colours for automatic machines

# SL50.5

**YOUR STATUS INDICATOR**

**5 FUNCTIONS**

**SIGHT RANGE**



**SL50.5 can replace stacklight:**

- 5 functions
- 1 more accurate visual at the correct height
- Economical
- Compact solution
- Up to IP69K on front panel and IP67 on rear panel

## Technical characteristics

Supply voltage	9V – 27,6V
Nominal voltage	24VDC
Operating temperature	-40°C to 60°C
Connection type	0.50cm cable or 3M cable or 0.50 cm M12 cable
Standards	EN 50178 EN 60947-5-3
Front panel	IP66 or IP69K (+ silicone gasket/nut)
Rear panel	IP66 or IP67
Housing material	PC-ULV0
Sound level	57 dB at 1 meter (Buzzer option)
LED lifetime	40 000 Hours

## Connexion wire assignement (MKT wiring)

M12 cable		
M12 pin number	Wire colour	Functions
1	White	Machine under voltage (White LED)
2	Brown	9V – 27,6V
3	Green	Command circuit under voltage (Green LED)
4	Yellow	Material fault (Yellow LED)
5	Grey	End of cycle (Blue LED)
6	Pink	NC
7	Blue	0V
8	Red	Fault (Red LED + Buzzer)

## Product consumption

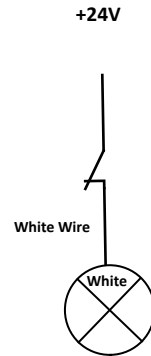
Function	Consumption at 24V
White LED	12mA (288mW)
Green LED	12mA (288mW)
Blue LED	8mA (192mW)
Yellow LED	36mA (864mW)
Red LED + Buzzer	59mA (1,42W)

## Machine under voltage indicator

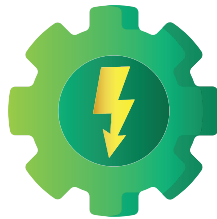


UNDER TENSION

WHITE LED ON

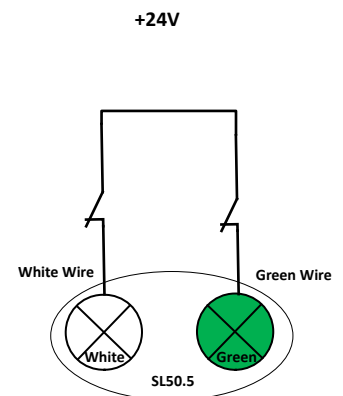


## Circuit command under voltage indicator

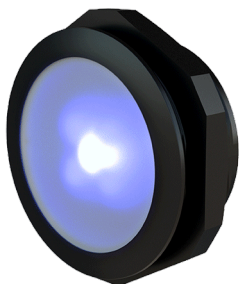


Machine in operation

4 GREEN LEDS ON

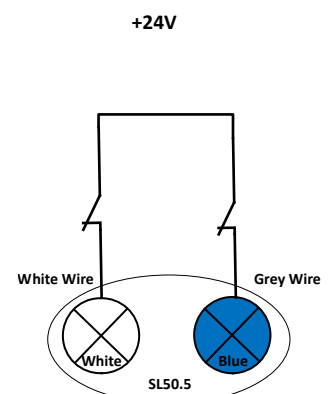


## End of cycle indicator



End of cycle

4 BLUE LEDS ON +  
UNDER VOLTAGE LED  
ON

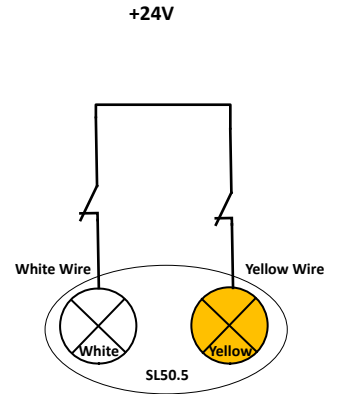


## Material fault indicator



**Material fault warning**

**4 YELLOW LEDS ON +  
UNDER VOLTAGE LED  
ON**

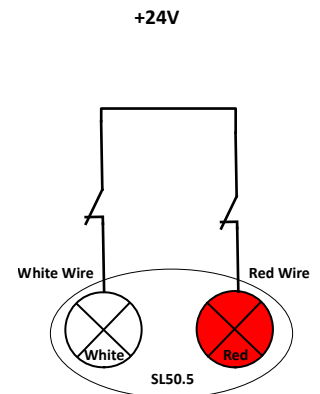


## Fault indicator

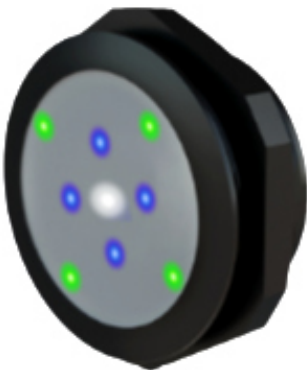


**Fault warning**

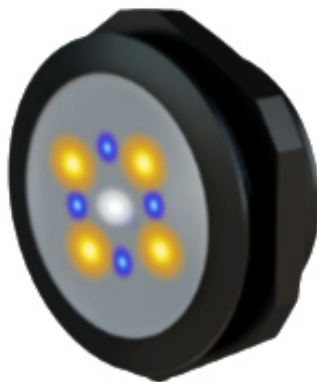
**4 RED LEDS ON +  
INTEGRATED BUZZER**



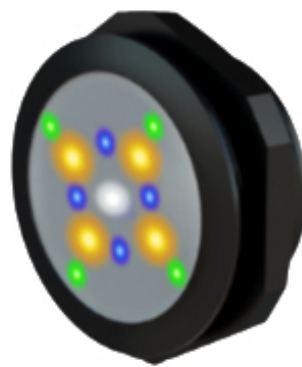
## Possibles combinaisons



\*Blue LEDS flash at 1Hz



\*Blue and yellow LEDS  
Flash at 1Hz out of phase



\*Blue and yellow LEDS flash at 1Hz  
out of phase

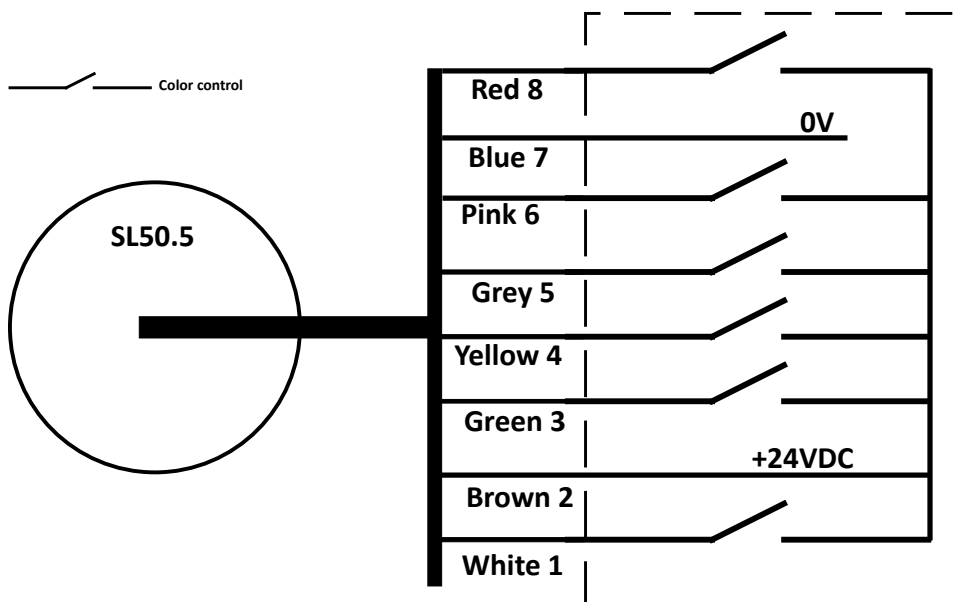


\*Yellow LEDS flash at 1Hz

### Dimensions



### Wiring diagram





# COMITRONIC-BTI

**14 Rue Pierre Paul de Riquet**

**33610 Canéjan - France**

**Tel : +33 5 64 10 04 52**

**Email : [sales@comitronic-bti.com](mailto:sales@comitronic-bti.com)**

**[www.comitronic-bti.com](http://www.comitronic-bti.com)**